

# Electronic Locker Lock

On- and offline capability, membership card operation

## Facts

- Easy operation directly on locker or safe door
- Membership card used as "key"
- Free selection of locker or personal locker (hire)
- Two groups of lockers (e.g. safes and changing-room lockers) possible
- One locker per group can be used
- Optical display for locked doors (capacity display)
- Automatic night opening possible
- Theft monitoring
- Recording of all identifications



No need for keys in fitness studios, swimming pools or sauna. A convenience which you should definitely offer your members! The electronic GAT Lock 5010 B locking system extends use of membership cards from check-in and cashless payment to keyless locking of clothes lockers. This means that a single card is sufficient for all the conveniences you want to offer your clients.

The period for which a locker can be used can also be limited, and you can enable a client to use a locker in two different groups (e.g. changing-room lockers and safes). You can also rent out a further cabinet or locker to the client.

No locker can be blocked without a valid card; an illuminated signal and open doors mean free lockers are clearly visible.

All lockers can be opened automatically via remote control.

## Description:

The client or club member selects a vacant locker and locks it with his membership card. In order to do this, the locker door is closed and the card is held against the lock. No other locker, cabinet, safe etc. can then be used within the relevant group, as long as the original locker is not unlocked again, in other words released.

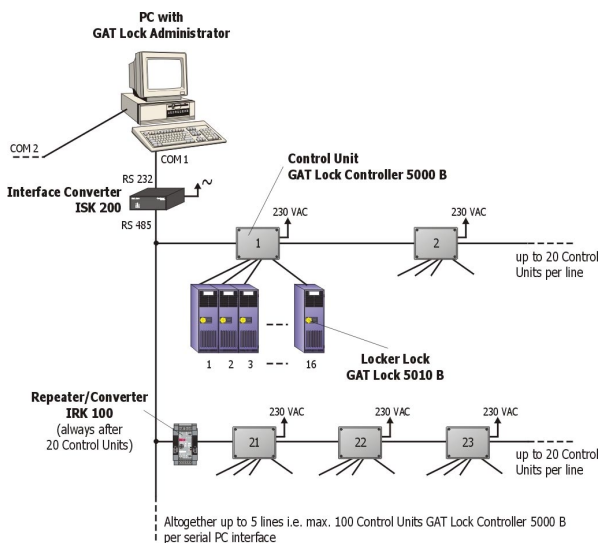
The lock is provided with an alarm function which ensures that only authorised persons can use any particular locker or cabinet. If an attempt is made to open a locker without the use of an authorised data carrier, an alarm signal is given at a specified PC. The online-link to the PC makes it possible to determine how many lockers are currently in use.

All system-specific parameters are set and transferred using simple PC software.

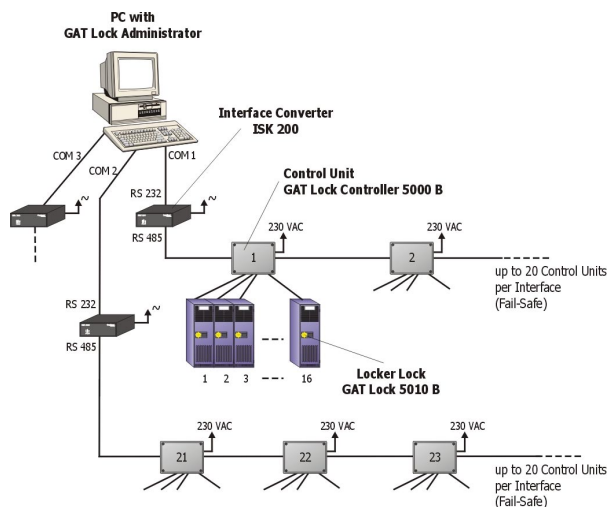
The GAT Lock 5010 B is linked to the GAT Lock Controller 5000 B which controls and monitors the state of the system by means of a PC.

# System Overview

## Offline Operation



## Online Operation



# Components



- **GAT Lock 5010 B**  
Locker Unit with bolts for mounting into different types of lockers.



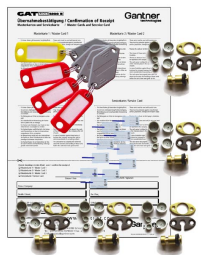
- **ISK 200**  
Interface Converter for the conversion of the interface signals from RS 232 to RS 485 and vice versa.



- **GAT Lock Controller 5000 B**  
Evaluation electronic for connection of up to 16 GAT Lock 5000 B, configurable with PC software.



- **GAT Lock Administration**  
PC software for configuration and controlling the electronic locker system.



- **GAT Lock Basic Set 5011 B**
  - 3 master data carriers
  - 1 service data carriers
  - Confirmation of receipt of data carriers
  - Set of 5 bolts
  - 10 terminator plugs
  - Operating Instructions



- **GAT Lock Booster 5000 B**  
Amplifier for reading field when installing the lock into lockers with metal doors.



- **GAT Info 5500 B**  
Display of information on member cards (locker number, money value, etc.)

**Note:** The devices can also be operated on a LAN-network by using a serial/TCP/IP converter.

Valid as of March 31<sup>st</sup> 2005. Subject to technical modifications.

[www.gantner.com](http://www.gantner.com)

Gantner Electronic GmbH  
Montafonerstraße 8 • 6780 Schruns/Austria  
Tel.: +43-(0)-5556-73784-542 • Fax: +43-(0)-5556-73784-74  
E-Mail: [access@gantner.com](mailto:access@gantner.com)

Gantner Electronic GmbH Deutschland  
Industriestraße 40F • 44894 Bochum/Germany  
Tel.: +49-(0)-234-58896-0 • Fax: +49-(0)-234-58896-11  
E-Mail: [info.leisure@gantner.com](mailto:info.leisure@gantner.com)

**Gantner**  
technologies